

1-21-054 / Explosion/flame proof signals

GNExB2LD2 Explosion Proof LED Multifunction Beacon

The GNExB2LD2 is an IECEx & ATEX approved explosion proof high output LED multi-function beacon. The robust IP66 corrosion proof GRP enclosure and extended temperature range ensures suitability for all Zone 1, 2, 21 & 22 hazardous location applications.

The GNExB2LD2 utilises an array of high power Cree® LED's, orientated to optimise visibility in any direction. The beacon can be configured as a steady beacon for status indicator use, with a light output of up to 174 candela. Alternatively one of the five flashing modes, with a light output of up to 338 candela, may be used for warning applications. DC voltage versions feature three remotely selectable stages enabling multiple warnings to be signalled from one device. The field replaceable colour filter enhances the light output and is constructed from UV stable PC. SIL1 compliant to IEC61508 (2010) as standard.

Features

- Robust, corrosion proof GRP (glass reinforced polyester) enclosure
- Ingress protection IP66
- Automatic synchronisation on multi-beacon systems
- Choice of five flash rates: 1Hz, 1.5Hz, 2Hz, double and triple flash.
- High and low power Steady modes
- Three remotely selectable stages/channels on DC versions.
- Glass lens & Stainless Steel guard
- UV stable PC field replaceable lens colour filter
- Stainless steel fixings
- Triple cable entries
- Duplicate cable terminations (in & out for daisy-chain installations)
- SIL1 compliant to IEC61508 (2010)

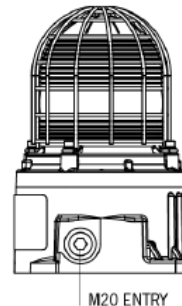
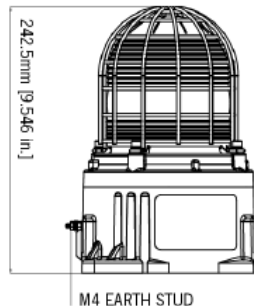
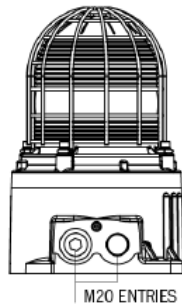
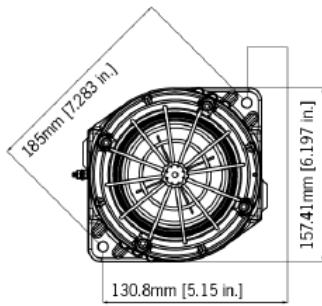
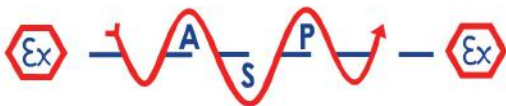
Approvals

- IECEx UL 15.0003X
IEC 60079-0 : 2011
IEC 60079-1 : 2014
IEC 60079-31 : 2013
- ATEX DEMKO 15ATEX1448X
EN 60079-0 : 2012
EN 60079-1 : 2014
EN 60079-31 : 2014
- TR-CU Ex EAC certificate: RU C-GB.AA71.B.00109

Coding

- II 2G Ex db IIC Gb T6 Ta -50°C to +65°C
- II 2G Ex db IIC Gb T5 Ta -50°C to +70°C
- II 2D Ex tb IIIC Db T85°C Ta -50°C to +70°C





Specification

Source:	Array of 4 x High Power Cree® LED's
Modes:	1Hz flash (60 fpm) 1.5Hz flash (90 fpm) 2Hz flash (120 fpm) Double strike flash Triple strike flash High Power Steady Low Power Steady
Eff. Intensity cd:	174 cd – High Power Steady
Eff. Intensity cd:	338 cd – 1Hz flash
Lens colours:	Amber, Blue, Clear, Green, Magenta, Red & Yellow
Voltages DC:	24vdc
Voltages AC:	115Vac; 230Vac
Ingress protection:	IP66
Enclosure matl:	UV stable GRP (glass reinforced polyester)
Colour:	Natural Red – can be provided in alternative colours
Cable entries:	3 x M20 ISO (2 stopping plugs inc.) Adaptors to M25, 1/2" & 3/4" NPT can be specified
Terminals:	0.5 to 2.5mm ²
Enclosure volume:	<2 litres
Line monitoring:	Blocking diode included EOL Min. 500 Ohm 2w, or 3k3 Ohm 0.5w resistor or diode (DC versions) can be fitted
LED life:	60,000 Hours
Temperature range:	-50° to +70°C (-58°F to +158°F)
Relative humidity:	95% – Additional tropicalisation is recommended for applications where both high relative humidity and high ambient temperatures exist
Weight:	3.5kg/7.7lbs

*All candela data is representative of performance with clear lens at optimum voltage.

Example part code: GNExB2LD2AC230 [e][m][s][v][x]/[y]
GNExB2LD2AC230AB1A1R/R
GNExB2LD2 LED Beacon, 230V ac,
3 x M20 entries, Brass stopping plugs,
A2 304 SS guard, IECEx & ATEX approved,
Red enclosure, Red lens

Part Codes

Version:	Part code: _____	
Product type:	GNExB2	
Type:	LD2	LED Multifunction Beacon
Voltage:	DC024	18-54V dc
	AC115	103.5-126.5V ac
	AC230	207-253V ac
Cable Entry Type:	A	3 x M20x1.5mm
[e]	B	2 x 1/2" NPT – adaptors
	C	2 x 3/4" NPT – adaptors
	D	2 x M25x1.5mm – adaptors
	E	1 x 1/2" NPT – adaptor
	F	1 x 3/4" NPT – adaptor
	G	1 x M25x1.5mm – adaptor
	H	3 x 1/2" NPT – adaptors
	I	3 x 3/4" NPT – adaptors
	J	3 x M25x1.5mm – adaptors
Adaptor/Stopping plug material: [m]	B	Brass (standard)
	N	Nickel Plated
	S	Stainless Steel
Guard material & tag: [s]	1	A2 304 Stainless Steel
	2	A4 316 Stainless Steel
	3	A2 304 St/St with Equip. Tag
	4	A4 316 St/St with Equip. Tag
Product version: [v]A1	IECEx & ATEX Group II 2G/D Zone 1, 2, 21 & 22	
Enclosure colour: [x]	R	Red
	S	Special (contact E2S)
Lens colour: [y]	A	Amber
	B	Blue
	C	Clear
	G	Green
	M	Magenta
	R	Red
	Y	Yellow
Accessories:	SP65-0001-A2	Pole Mount Bracket Kit 2" St/St A2 (304)
	SP65-0001-A4	Pole Mount Bracket Kit 2" St/St A4 (316)
	SP65-0003-A2	Sunshade – St/St A2 (304)
	SP65-0003-A4	Sunshade – St/St A4 (316)